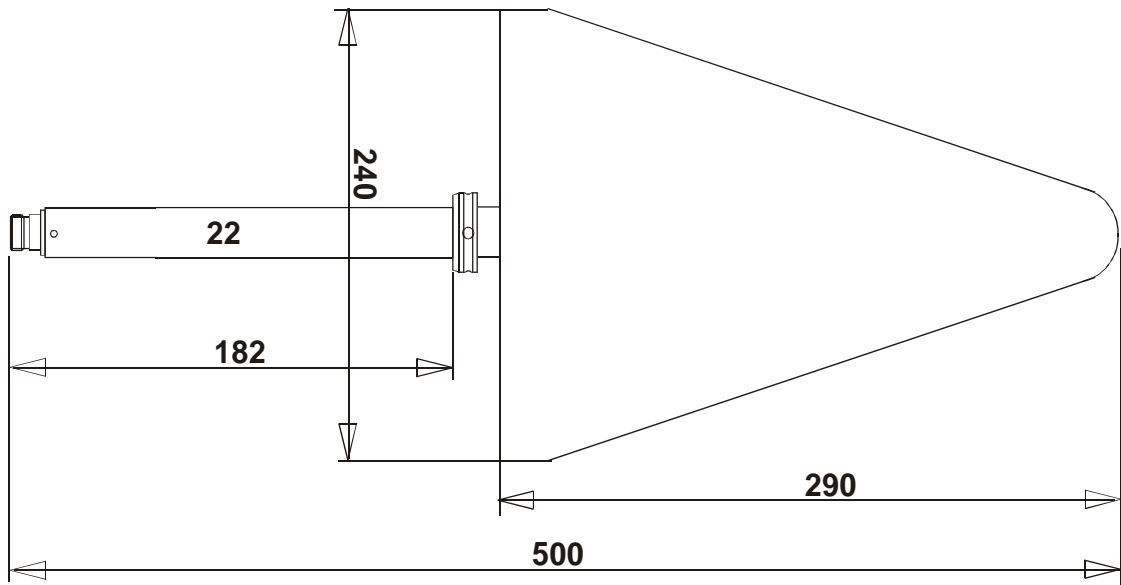


SCHWARZBECK MESS - ELEKTRONIK

An der Klinge 29 D-69250 Schönau Tel.: 06228/1001 Fax.: (49)6228/1003

Mikrowellen Log. - Per. Antenne ESLP 9145 *Microwave Log.-Per. Antenna ESLP 9145*



Technische Daten:

Linear polarisierte
Mikrowellen-Log.-Per.
Breitbandantenne mit
abnehmbaren
Kunststoffgehäuse.

Nenn-Frequenzbereich: 1 - 18 GHz
Nutzbarer Frequenzbereich: 0.7 - 20 GHz
Anschluß: Buchse 50 W N
Befestigungsrohr: $f=22\text{ mm}$, $L=185\text{ mm}$
Isotropgewinn: typ. 6 dBi +/- 1.2 dB
Antennenwandlungsmaß: 22 ... 50 dB/m
SWR typ.: < 2
Max. Eingangsleistung: 20 W
Halbwertsbreite E-Ebene: 55 ° (70° - 40°)
Halbwertsbreite H-Ebene: 85 ° (130° - 65°)

Abmessungen: 500 x 240 x 40 mm
Gewicht: 900 g

Specifications:

*Linear polarised microwave Log.-
Per. broadband antenna with
removable plastic protection
cover.*

*Nominal Frequency range:
Useable Frequency range:
Connector: female
Mounting tube:
Isotropic gain:
Antenna Factor:
SWR typ.:
Max. Input Power:*

*Half-Power Beamwidth (E-plane):
Half-Power Beamwidth (H-plane):*

*Dimensions:
Weight:*

SCHWARZBECK MESS - ELEKTRONIK

An der Klinge 29 D-69250 Schönau Tel.: 06228/1001 Fax.: (49)6228/1003

Mikrowellen Log. - Per. Antenne ESLP 9145

Microwave Log.-Per. Antenna ESLP 9145

Frequency	Distance	Wavelength	Attenuation	Gain(Isotr.)	Gain(Dipole)	Ant.-Factor
MHz	m	m	dB	dBi	dBd	dB/m
700.00	1.52	0.429	26.59	3.20	1.04	23.93
750.00	1.52	0.400	25.59	3.99	1.84	23.73
800.00	1.49	0.375	24.39	4.79	2.64	23.49
850.00	1.46	0.353	23.44	5.45	3.30	23.36
900.00	1.44	0.333	23.08	5.81	3.65	23.50
950.00	1.42	0.316	22.49	6.27	4.12	23.50
1000.00	1.40	0.300	22.59	6.39	4.24	23.83
1050.00	1.38	0.286	22.68	6.50	4.35	24.14
1100.00	1.37	0.273	22.80	6.59	4.44	24.45
1150.00	1.35	0.261	23.20	6.54	4.39	24.89
1200.00	1.34	0.250	23.71	6.43	4.28	25.38
1250.00	1.33	0.240	24.01	6.42	4.26	25.74
1300.00	1.32	0.231	24.41	6.35	4.20	26.15
1350.00	1.31	0.222	24.60	6.39	4.24	26.44
1400.00	1.30	0.214	24.88	6.37	4.22	26.77
1450.00	1.29	0.207	25.01	6.43	4.28	27.02
1500.00	1.28	0.200	25.09	6.51	4.36	27.23
1550.00	1.27	0.194	25.31	6.52	4.36	27.51
1600.00	1.26	0.188	25.45	6.56	4.41	27.75
1650.00	1.26	0.182	25.46	6.66	4.51	27.91
1700.00	1.25	0.176	25.70	6.65	4.50	28.18
1750.00	1.25	0.171	25.72	6.74	4.59	28.34
1800.00	1.24	0.167	25.72	6.85	4.70	28.48
1850.00	1.23	0.162	25.94	6.84	4.69	28.72
1900.00	1.23	0.158	25.90	6.96	4.81	28.84
1950.00	1.22	0.154	26.06	6.97	4.82	29.05
2000.00	1.22	0.150	26.07	7.06	4.91	29.18
2050.00	1.22	0.146	26.07	7.15	5.00	29.30
2100.00	1.21	0.143	26.47	7.04	4.89	29.62
2150.00	1.21	0.140	26.68	7.03	4.87	29.84
2200.00	1.20	0.136	26.71	7.10	4.95	29.97
2250.00	1.20	0.133	26.90	7.09	4.94	30.18
2300.00	1.20	0.130	26.91	7.16	5.01	30.29
2350.00	1.19	0.128	27.09	7.15	5.00	30.49
2400.00	1.19	0.125	27.15	7.21	5.05	30.62
2450.00	1.19	0.122	27.29	7.21	5.06	30.79
2500.00	1.18	0.120	27.52	7.18	5.02	31.00
2550.00	1.18	0.118	27.72	7.15	5.00	31.20
2600.00	1.18	0.115	27.65	7.26	5.11	31.26
2650.00	1.18	0.113	27.66	7.32	5.17	31.36
2700.00	1.17	0.111	27.78	7.34	5.19	31.51
2750.00	1.17	0.109	27.87	7.37	5.22	31.64
2800.00	1.17	0.107	27.92	7.41	5.26	31.75
2850.00	1.17	0.105	28.07	7.40	5.25	31.91
2900.00	1.16	0.103	28.31	7.35	5.20	32.12
2950.00	1.16	0.102	28.58	7.28	5.13	32.34
3000.00	1.16	0.100	28.85	7.21	5.06	32.55
3050.00	1.16	0.098	28.84	7.28	5.13	32.62
3100.00	1.16	0.097	28.85	7.34	5.19	32.71
3150.00	1.15	0.095	28.80	7.43	5.28	32.76
3200.00	1.15	0.094	28.73	7.52	5.37	32.80
3250.00	1.15	0.092	28.67	7.61	5.46	32.85
3300.00	1.15	0.091	28.69	7.67	5.52	32.92
3350.00	1.15	0.090	28.77	7.69	5.53	33.04
MHz	m	m	dB	dBi	dBd	dB/m

Kalibrierdaten mit Abdeckhaube / Calibration Data with Cover

SCHWARZBECK MESS - ELEKTRONIK

An der Klinge 29 D-69250 Schönau Tel.: 06228/1001 Fax.: (49)6228/1003

Mikrowellen Log. - Per. Antenne ESLP 9145

Microwave Log.-Per. Antenna ESLP 9145

Frequency	Distance	Wavelength	Attenuation	Gain(Isotr.)	Gain(Dipole)	Ant.-Factor
MHz	m	m	dB	dBi	dBd	dB/m
3400.00	1.15	0.088	28.97	7.64	5.49	33.21
3450.00	1.14	0.087	29.33	7.52	5.37	33.46
3500.00	1.14	0.086	29.50	7.49	5.34	33.61
3550.00	1.14	0.085	29.66	7.47	5.32	33.75
3600.00	1.14	0.083	29.75	7.48	5.32	33.87
3650.00	1.14	0.082	29.85	7.48	5.33	33.98
3700.00	1.14	0.081	29.89	7.52	5.37	34.07
3750.00	1.14	0.080	29.91	7.56	5.41	34.14
3800.00	1.13	0.079	29.81	7.66	5.51	34.16
3850.00	1.13	0.078	29.86	7.69	5.54	34.24
3900.00	1.13	0.077	29.92	7.71	5.56	34.33
3950.00	1.13	0.076	29.88	7.78	5.63	34.37
4000.00	1.13	0.075	29.87	7.84	5.69	34.43
4050.00	1.13	0.074	30.04	7.80	5.65	34.57
4100.00	1.13	0.073	30.20	7.77	5.62	34.71
4150.00	1.13	0.072	30.43	7.70	5.55	34.88
4200.00	1.13	0.071	30.60	7.67	5.51	35.02
4250.00	1.12	0.071	30.88	7.57	5.42	35.21
4300.00	1.12	0.070	31.28	7.42	5.27	35.46
4350.00	1.12	0.069	31.50	7.36	5.21	35.63
4400.00	1.12	0.068	31.70	7.30	5.15	35.78
4450.00	1.12	0.067	31.77	7.32	5.17	35.87
4500.00	1.12	0.067	31.76	7.37	5.22	35.92
4550.00	1.12	0.066	31.80	7.39	5.24	35.99
4600.00	1.12	0.065	31.70	7.48	5.33	35.99
4650.00	1.12	0.065	31.64	7.56	5.41	36.01
4700.00	1.12	0.064	31.68	7.58	5.43	36.08
4750.00	1.12	0.063	31.49	7.72	5.57	36.03
4800.00	1.11	0.063	31.59	7.71	5.56	36.13
4850.00	1.11	0.062	31.73	7.68	5.53	36.25
4900.00	1.11	0.061	31.73	7.73	5.58	36.30
4950.00	1.11	0.061	31.77	7.75	5.60	36.37
5000.00	1.11	0.060	31.80	7.77	5.62	36.43
5100.00	1.11	0.059	32.11	7.70	5.55	36.67
5200.00	1.11	0.058	32.22	7.72	5.57	36.82
5300.00	1.11	0.057	32.57	7.62	5.47	37.08
5400.00	1.11	0.056	32.73	7.62	5.47	37.25
5500.00	1.11	0.055	32.94	7.59	5.44	37.44
5600.00	1.10	0.054	33.13	7.57	5.42	37.61
5700.00	1.10	0.053	33.40	7.51	5.36	37.83
5800.00	1.10	0.052	33.71	7.42	5.27	38.07
5900.00	1.10	0.051	33.96	7.37	5.22	38.27
6000.00	1.10	0.050	34.29	7.27	5.12	38.51
6100.00	1.10	0.049	34.39	7.29	5.14	38.64
6200.00	1.10	0.048	34.76	7.17	5.02	38.90
6300.00	1.10	0.048	34.76	7.24	5.09	38.97
6400.00	1.10	0.047	34.89	7.24	5.09	39.11
6500.00	1.10	0.046	35.02	7.24	5.08	39.24
6600.00	1.09	0.045	35.35	7.13	4.98	39.48
6700.00	1.09	0.045	35.52	7.11	4.96	39.63
6800.00	1.09	0.044	35.83	7.02	4.86	39.85
6900.00	1.09	0.043	35.93	7.03	4.88	39.97
7000.00	1.09	0.043	36.06	7.02	4.87	40.10
7100.00	1.09	0.042	36.31	6.95	4.80	40.29
7200.00	1.09	0.042	36.71	6.81	4.66	40.55
MHz	m	m	dB	dBi	dBd	dB/m

Kalibrierdaten mit Abdeckhaube / Calibration Data with Cover

SCHWARZBECK MESS - ELEKTRONIK

An der Klinge 29 D-69250 Schönau Tel.: 06228/1001 Fax.: (49)6228/1003

Mikrowellen Log. - Per. Antenne ESLP 9145

Microwave Log.-Per. Antenna ESLP 9145

Frequency	Distance	Wavelength	Attenuation	Gain(Isotr.)	Gain(Dipole)	Ant.-Factor
MHz	m	m	dB	dBi	dBd	dB/m
7300.00	1.09	0.041	37.18	6.63	4.48	40.85
7400.00	1.09	0.041	37.50	6.53	4.38	41.07
7500.00	1.09	0.040	37.61	6.53	4.38	41.19
7600.00	1.09	0.039	37.63	6.58	4.43	41.26
7700.00	1.09	0.039	37.58	6.66	4.51	41.29
7800.00	1.09	0.038	37.49	6.76	4.61	41.30
7900.00	1.09	0.038	37.47	6.82	4.67	41.35
8000.00	1.08	0.038	37.39	6.91	4.76	41.37
8100.00	1.08	0.037	37.52	6.90	4.75	41.49
8200.00	1.08	0.037	37.64	6.89	4.74	41.61
8300.00	1.08	0.036	38.04	6.74	4.59	41.86
8400.00	1.08	0.036	38.33	6.64	4.49	42.06
8500.00	1.08	0.035	38.89	6.41	4.26	42.40
8600.00	1.08	0.035	39.12	6.35	4.20	42.56
8700.00	1.08	0.034	39.39	6.26	4.11	42.75
8800.00	1.08	0.034	39.67	6.17	4.02	42.94
8900.00	1.08	0.034	40.03	6.04	3.89	43.17
9000.00	1.08	0.033	40.50	5.85	3.69	43.46
9100.00	1.08	0.033	41.11	5.59	3.44	43.81
9200.00	1.08	0.033	41.66	5.36	3.21	44.13
9300.00	1.08	0.032	41.81	5.33	3.18	44.26
9400.00	1.08	0.032	41.87	5.34	3.19	44.34
9500.00	1.08	0.032	41.57	5.54	3.39	44.24
9600.00	1.08	0.031	41.51	5.61	3.46	44.25
9700.00	1.08	0.031	40.92	5.95	3.80	44.00
9800.00	1.08	0.031	40.68	6.11	3.96	43.93
9900.00	1.08	0.030	40.04	6.48	4.33	43.65
10000.00	1.08	0.030	39.90	6.59	4.44	43.63
10100.00	1.08	0.030	39.90	6.63	4.48	43.67
10200.00	1.08	0.029	39.93	6.66	4.51	43.74
10300.00	1.07	0.029	40.07	6.63	4.48	43.85
10400.00	1.07	0.029	40.06	6.68	4.53	43.88
10500.00	1.07	0.029	40.26	6.61	4.46	44.03
10600.00	1.07	0.028	40.48	6.54	4.39	44.18
10700.00	1.07	0.028	41.38	6.13	3.98	44.67
10800.00	1.07	0.028	41.78	5.97	3.82	44.92
10900.00	1.07	0.028	42.24	5.78	3.63	45.19
11000.00	1.07	0.027	42.60	5.64	3.49	45.41
11100.00	1.07	0.027	43.07	5.44	3.29	45.68
11200.00	1.07	0.027	43.46	5.29	3.14	45.92
11300.00	1.07	0.027	43.41	5.35	3.20	45.93
11400.00	1.07	0.026	43.49	5.34	3.19	46.01
11500.00	1.07	0.026	43.44	5.41	3.25	46.03
11600.00	1.07	0.026	43.67	5.33	3.18	46.18
11700.00	1.07	0.026	43.69	5.36	3.21	46.23
11800.00	1.07	0.025	43.43	5.52	3.37	46.14
11900.00	1.07	0.025	43.23	5.66	3.51	46.07
12000.00	1.07	0.025	42.98	5.81	3.66	45.99
12100.00	1.07	0.025	42.81	5.94	3.79	45.94
12200.00	1.07	0.025	42.75	6.00	3.85	45.95
12300.00	1.07	0.024	42.84	5.99	3.84	46.03
12400.00	1.07	0.024	42.66	6.12	3.96	45.97
12500.00	1.07	0.024	42.41	6.27	4.12	45.88
12600.00	1.07	0.024	42.10	6.46	4.31	45.76
12700.00	1.07	0.024	42.20	6.44	4.29	45.85
MHz	m	m	dB	dBi	dBd	dB/m

Kalibrierdaten mit Abdeckhaube / Calibration Data with Cover

SCHWARZBECK MESS - ELEKTRONIK

An der Klinge 29 D-69250 Schönau Tel.: 06228/1001 Fax.: (49)6228/1003

Mikrowellen Log. - Per. Antenne ESLP 9145

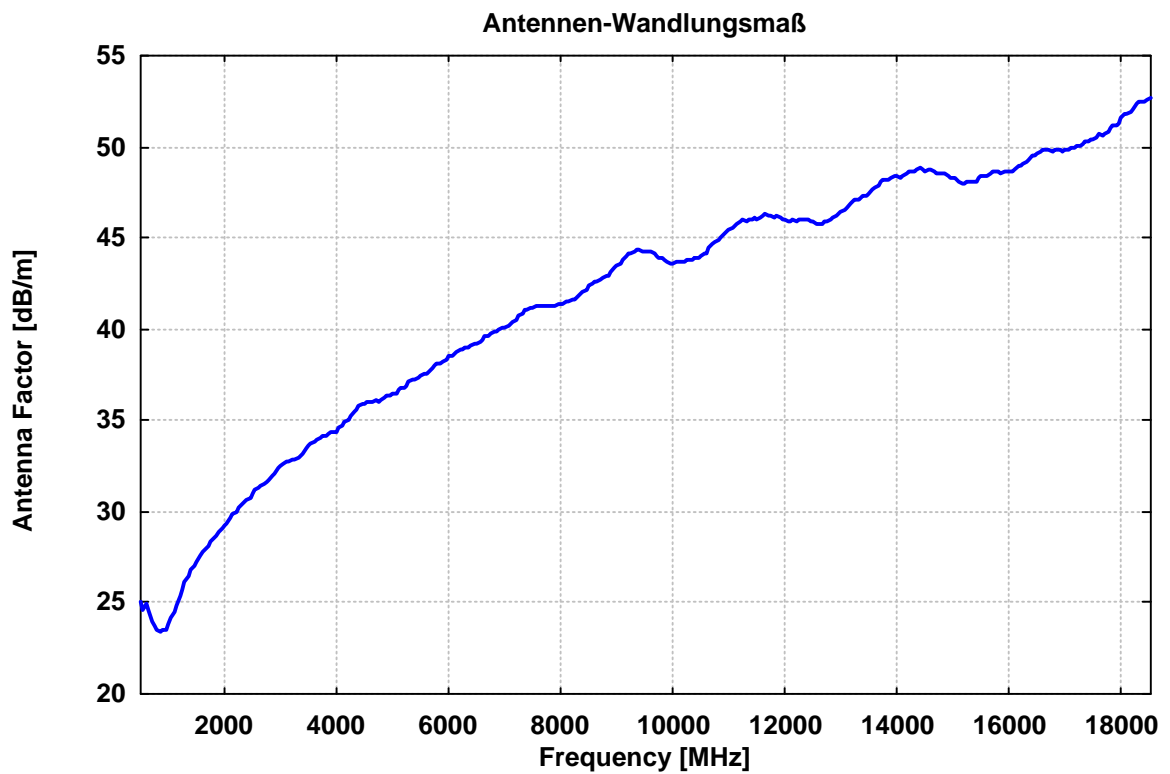
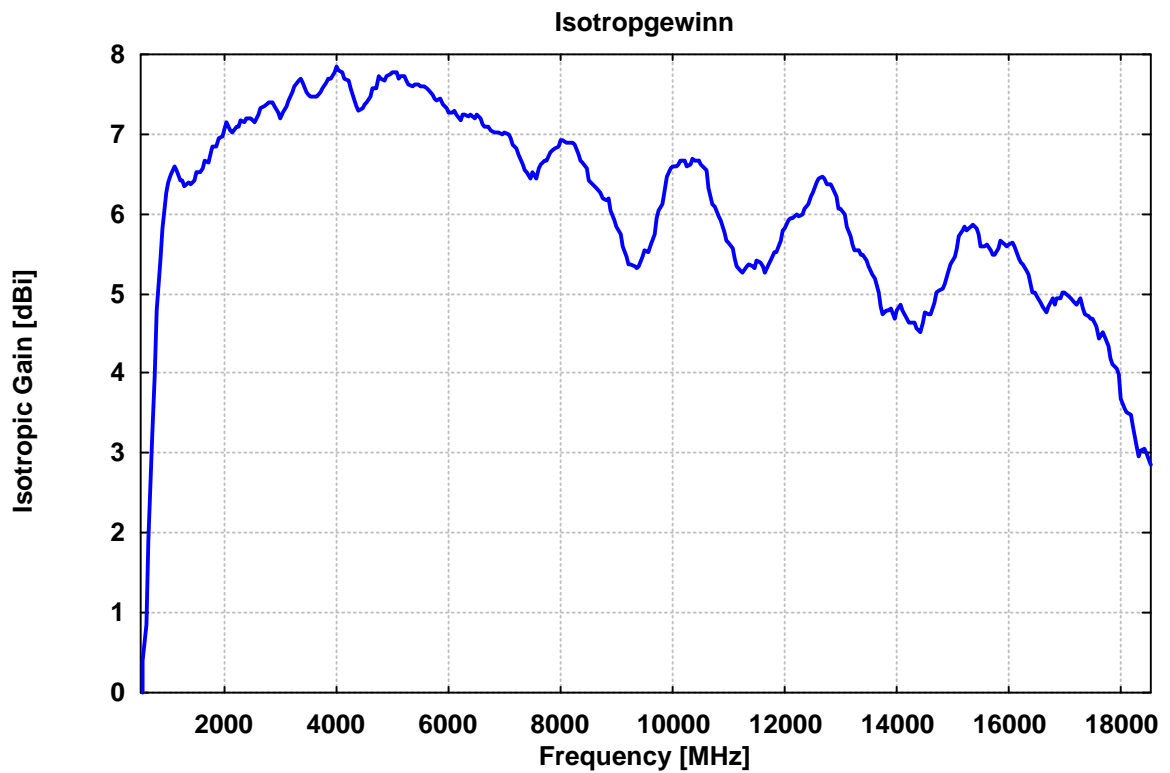
Microwave Log.-Per. Antenna ESLP 9145

Frequency	Distance	Wavelength	Attenuation	Gain(Isotr.)	Gain(Dipole)	Ant.-Factor
MHz	m	m	dB	dBi	dBd	dB/m
12800.00	1.07	0.023	42.44	6.36	4.21	46.01
12900.00	1.07	0.023	42.80	6.21	4.06	46.22
13000.00	1.07	0.023	43.18	6.06	3.91	46.44
13100.00	1.07	0.023	43.67	5.84	3.69	46.72
13200.00	1.07	0.023	44.16	5.63	3.48	47.00
13300.00	1.07	0.023	44.39	5.55	3.40	47.15
13400.00	1.07	0.022	44.56	5.49	3.34	47.27
13500.00	1.07	0.022	44.94	5.34	3.19	47.49
13600.00	1.07	0.022	45.31	5.18	3.03	47.71
13700.00	1.07	0.022	46.06	4.84	2.69	48.12
13800.00	1.07	0.022	46.22	4.79	2.63	48.23
13900.00	1.07	0.022	46.24	4.81	2.66	48.27
14000.00	1.07	0.021	46.36	4.78	2.63	48.37
14100.00	1.07	0.021	46.37	4.80	2.65	48.40
14200.00	1.07	0.021	46.76	4.64	2.49	48.63
14300.00	1.07	0.021	46.81	4.64	2.49	48.68
14400.00	1.06	0.021	47.14	4.51	2.36	48.88
14500.00	1.06	0.021	46.68	4.77	2.62	48.68
14600.00	1.06	0.021	46.79	4.74	2.59	48.76
14700.00	1.06	0.020	46.32	5.01	2.86	48.56
14800.00	1.06	0.020	46.27	5.06	2.91	48.56
14900.00	1.06	0.020	45.84	5.30	3.15	48.38
15000.00	1.06	0.020	45.57	5.47	3.32	48.27
15100.00	1.06	0.020	45.11	5.72	3.57	48.08
15200.00	1.06	0.020	44.92	5.85	3.69	48.01
15300.00	1.06	0.020	44.97	5.85	3.70	48.06
15400.00	1.06	0.019	45.07	5.83	3.68	48.14
15500.00	1.06	0.019	45.60	5.59	3.44	48.43
15600.00	1.06	0.019	45.57	5.63	3.48	48.45
15700.00	1.06	0.019	45.93	5.48	3.33	48.66
15800.00	1.06	0.019	45.79	5.57	3.42	48.62
15900.00	1.06	0.019	45.78	5.61	3.46	48.64
16000.00	1.06	0.019	45.81	5.62	3.47	48.68
16100.00	1.06	0.019	45.94	5.58	3.43	48.78
16200.00	1.06	0.019	46.35	5.40	3.25	49.01
16300.00	1.06	0.018	46.61	5.30	3.15	49.17
16400.00	1.06	0.018	47.21	5.02	2.87	49.49
16500.00	1.06	0.018	47.39	4.96	2.81	49.61
16600.00	1.06	0.018	47.70	4.83	2.68	49.79
16700.00	1.06	0.018	47.74	4.84	2.69	49.84
16800.00	1.06	0.018	47.74	4.87	2.71	49.86
16900.00	1.06	0.018	47.61	4.95	2.80	49.82
17000.00	1.06	0.018	47.52	5.02	2.87	49.81
17100.00	1.06	0.018	47.75	4.93	2.78	49.95
17200.00	1.06	0.017	47.95	4.86	2.71	50.07
17300.00	1.06	0.017	48.09	4.81	2.66	50.17
17400.00	1.06	0.017	48.35	4.71	2.56	50.32
17500.00	1.06	0.017	48.42	4.70	2.54	50.39
17600.00	1.06	0.017	49.01	4.43	2.28	50.70
17700.00	1.06	0.017	48.97	4.47	2.32	50.71
17800.00	1.06	0.017	49.55	4.20	2.05	51.03
17900.00	1.06	0.017	49.86	4.07	1.92	51.20
18000.00	1.06	0.017	50.66	3.70	1.55	51.63
18500.00	1.06	0.016	52.59	2.85	0.70	52.71
MHz	m	m	dB	dBi	dBd	dB/m

SCHWARZBECK MESS - ELEKTRONIK

An der Klinge 29 D-69250 Schönau Tel.: 06228/1001 Fax.: (49)6228/1003

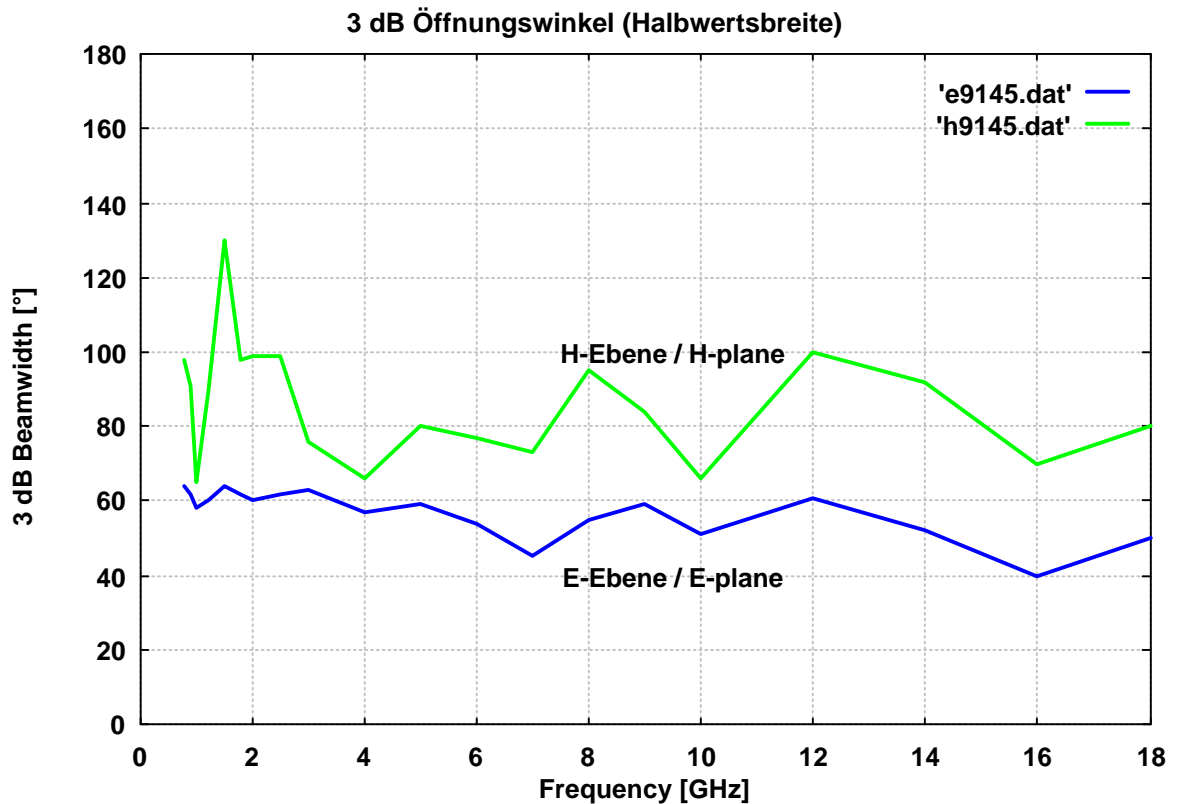
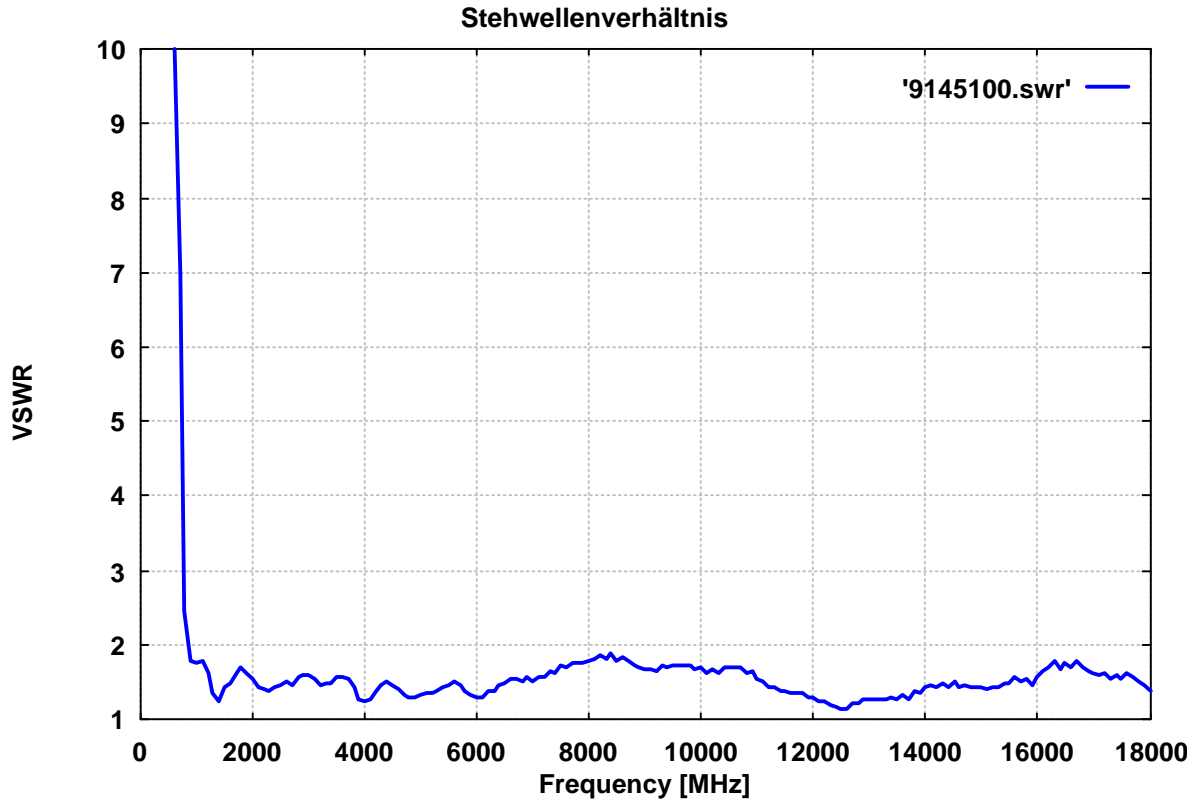
Mikrowellen Log. - Per. Antenne ESLP 9145 *Microwave Log.-Per. Antenna ESLP 9145*



SCHWARZBECK MESS - ELEKTRONIK

An der Klinge 29 D-69250 Schönau Tel.: 06228/1001 Fax.: (49)6228/1003

Mikrowellen Log. - Per. Antenne ESLP 9145 *Microwave Log.-Per. Antenna ESLP 9145*

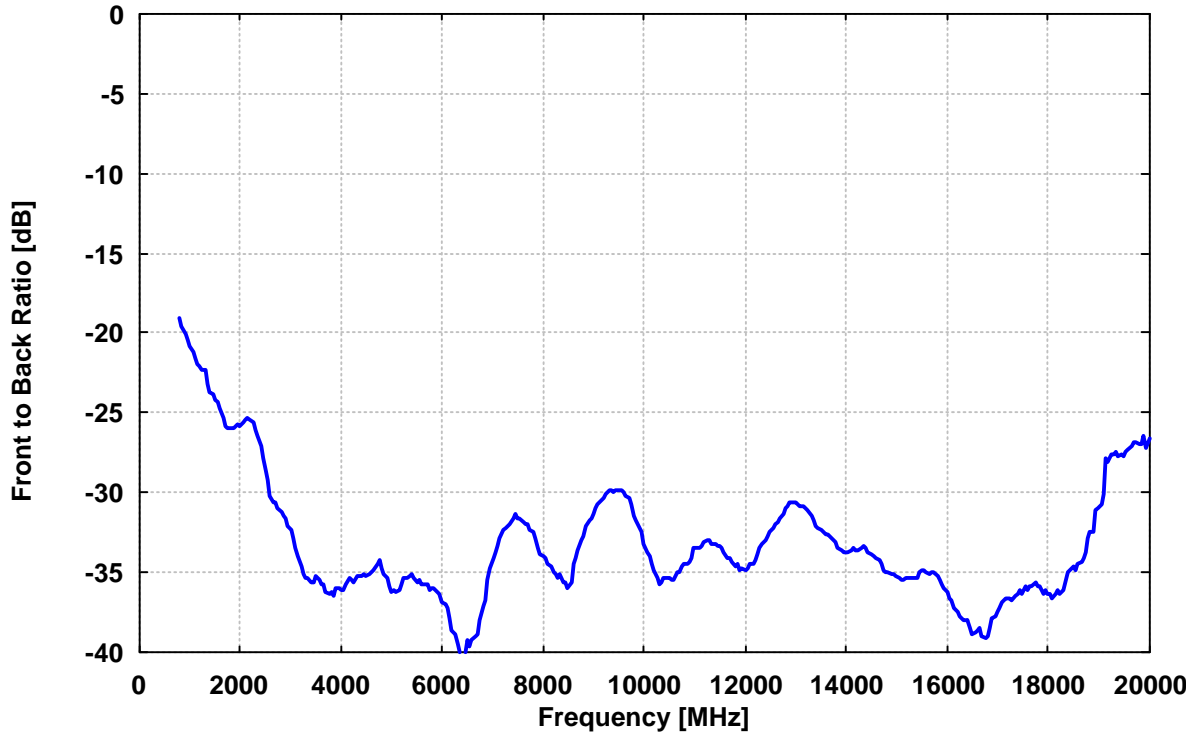


SCHWARZBECK MESS - ELEKTRONIK

An der Klinge 29 D-69250 Schönau Tel.: 06228/1001 Fax.: (49)6228/1003

Mikrowellen Log. - Per. Antenne ESLP 9145 *Microwave Log.-Per. Antenna ESLP 9145*

Vor- Rückmaß
ESLP 9145



Kreuzpolarisationsunterdrückung
ESLP 9145

